



**ERSATZTEILLISTE**

**SPARE PARTS LIST**

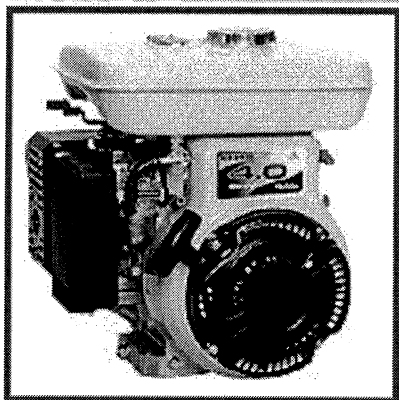
**LISTE DES PIECES  
DE RECHANGE**

**LISTINO RICAMBI**

**LISTA DE RECAMBIOS**

**WYKAZ CZESCI  
ZAMIENNYCH**

**EH12-2**



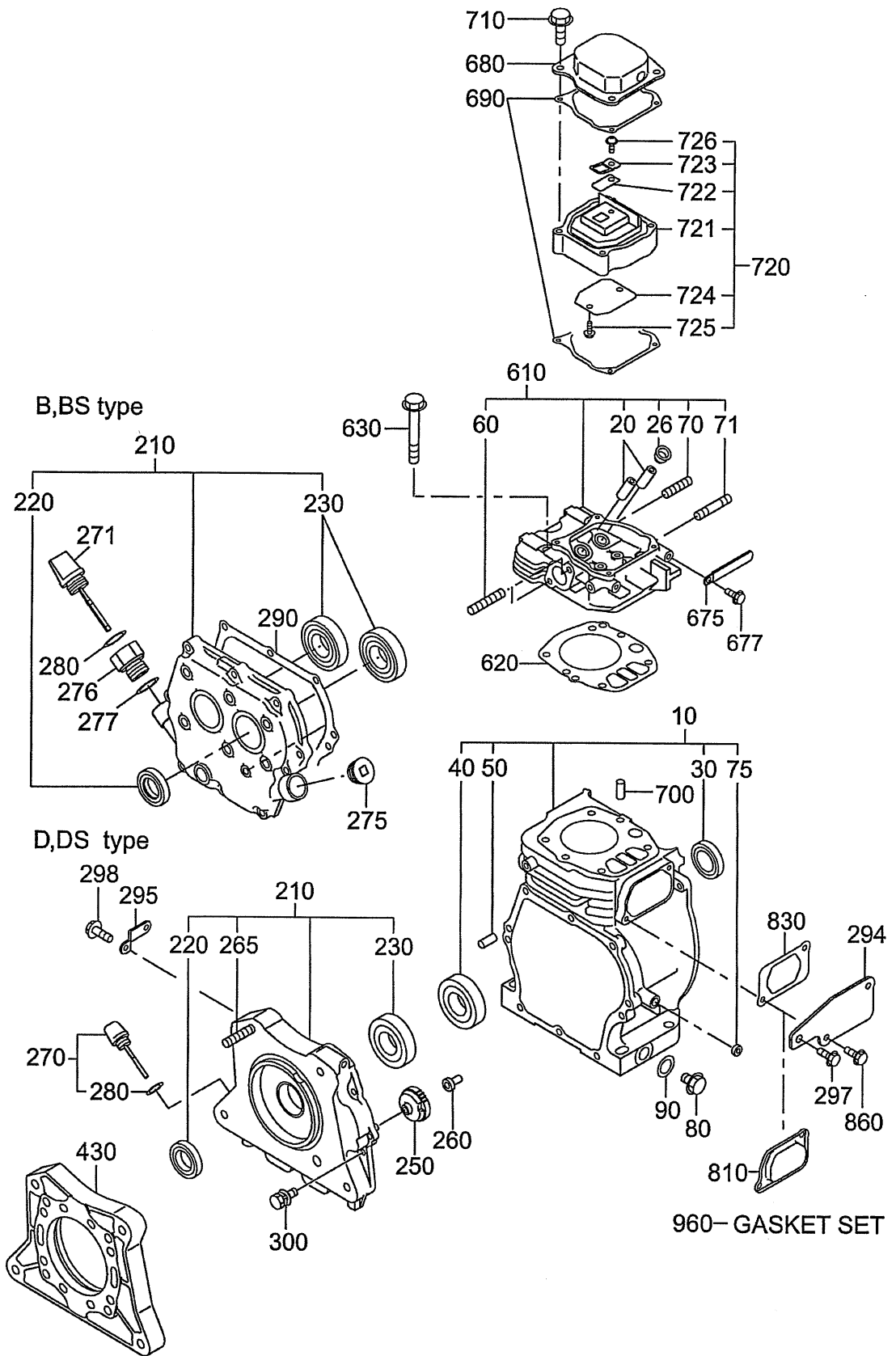
**ROBIN MOTOR**

**Typ EH12-2**

**Spec.No. EH12-2 46520**

**für SRV 66 ab Masch.-Nr. 7006365**

FIG. 105



# 1 CRANK CASE

REF.	PART NUMBER	PART NAME	QTY	REMARKS	CODE NO.	INTERCHANGE P/NO.	UNIT P	FIG.
10	252-10301-41	CRANK CASE CP	1	RAMMER	7337-			105
	252-10301-31	CRANK CASE CP	1	RAMMER	-7336			105
20	237-14202-03	VALVE GUIDE	2	5. 5DX9. 5DX27L	-			105
26	277-16010-01	STEM SEAL	1	5. 5DX9. 5DX15DX7. 8B	-			105
30	044-02501-50	OIL SEAL	1	25DX38DX7B	-			105
40	060-02501-00	BALL BEARING	1	25DX52DX15B	-			105
50	031-00600-20	DOWEL PIN	2	6DX14. 5L	-			105
60	010-50804-80	STUD	2	M8X1. 25X35L	-			105
70	010-50601-31	STUD	1	M6X1. 0X33L	-			105
71	001-39066-00	STUD	1		-			105
75	044-00800-10	OIL SEAL	1	8DX14DX4B	-			105
80	040-11400-30	PLUG	2	M14X1. 5X20DX12L	-			105
90	021-11400-20	GASKET	2	14. 1DX19DX2. 3T	-			105
210	268-11109-01	MAIN BEARING COVER C	1		-			105
220	044-02501-60	OIL SEAL	1	25DX41DX7B	-			105
230	060-02500-10	BALL BEARING	1	25DX52DX15B	-			105
250	227-45003-01	GOVERNOR GEAR CP	1	52DX26T N=25	-			105
260	205-41901-03	GOVERNOR SLEEVE	1	6DX9DX16DX26L	-			105
270	268-63603-01	OIL GAUGE CP	1	M18X1. 5 L=76+18	-			105
280	021-31600-20	GASKET	1	16DX23DX1. 2T RUBBER	-	X21-31600-20		105
294	252-17002-01	BRACKET (M. B. C) CP	1		-			105
295	252-17001-01	SUPPORT (M. B. C)	1		-			105
297	001-13081-60	BOLT AND WASHER AY	1	M8X1. 25X16L W/SW	-			105
298	001-13081-60	BOLT AND WASHER AY	2	M8X1. 25X16L W/SW	-			105
300	013-00602-00	BOLT AND WASHER AY	8	M6X1. 0X30L W/SW	-			105
610	268-13101-21	CYLINDER HEAD CP	1	RAMMER	-			105
620	253-15001-33	GASKET (HEAD)	1	T=0. 2	-			105
630	011-00801-00	FLANGE BOLT	4	M8X1. 25X17DX65L	-			105
675	056-60002-50	CLAMP	1	6. 5DX10BX95LX0. 6T	-			105
677	011-00600-20	FLANGE BOLT	1	M6X1. 0X14DX12L	-			105
680	252-15502-03	ROCKER COVER	1		-			105
	252-15502-03	ROCKER COVER	1		-			105
690	269-16004-03	GASKET (ROCKER COVER)	2	T=2. 0	-	269-16007-03		105
	269-16004-03	GASKET (ROCKER COVER)	2	T=2. 0	-	269-16007-03		105
700	031-00600-20	DOWEL PIN	2	6DX14. 5L	-			105
710	011-00601-70	FLANGE BOLT	4	M6X1. 0X13DX40L	-			105
720	252-15601-20	SPACER (BREATHING) AY	1		-			105
	252-15601-20	SPACER (BREATHING) AY	1		-			105
721	252-15601-13	SPACER (BREATHING)	1		-			105
722	252-16001-03	LEAF VALVE	1		-			105





FIG. 200

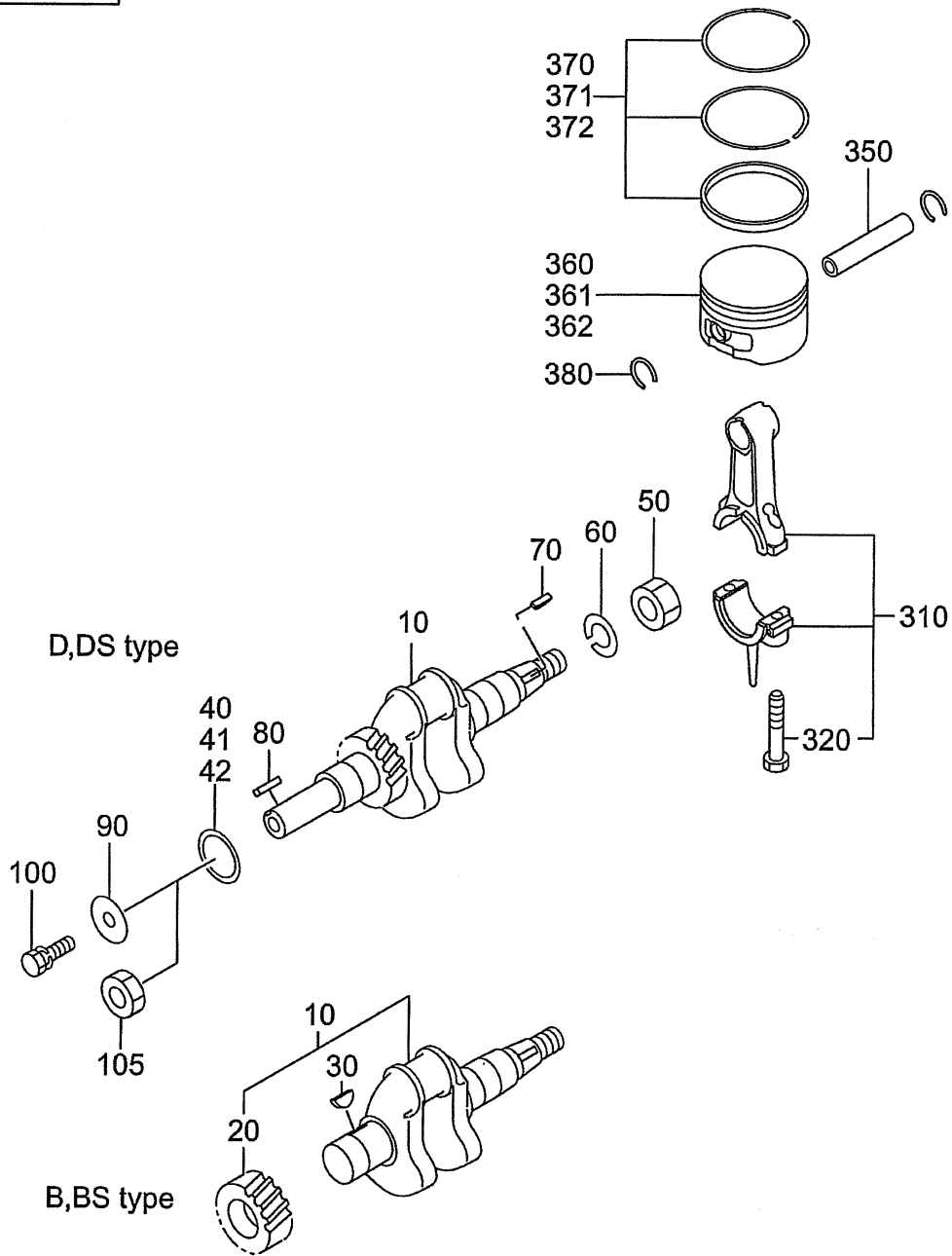




FIG. 300

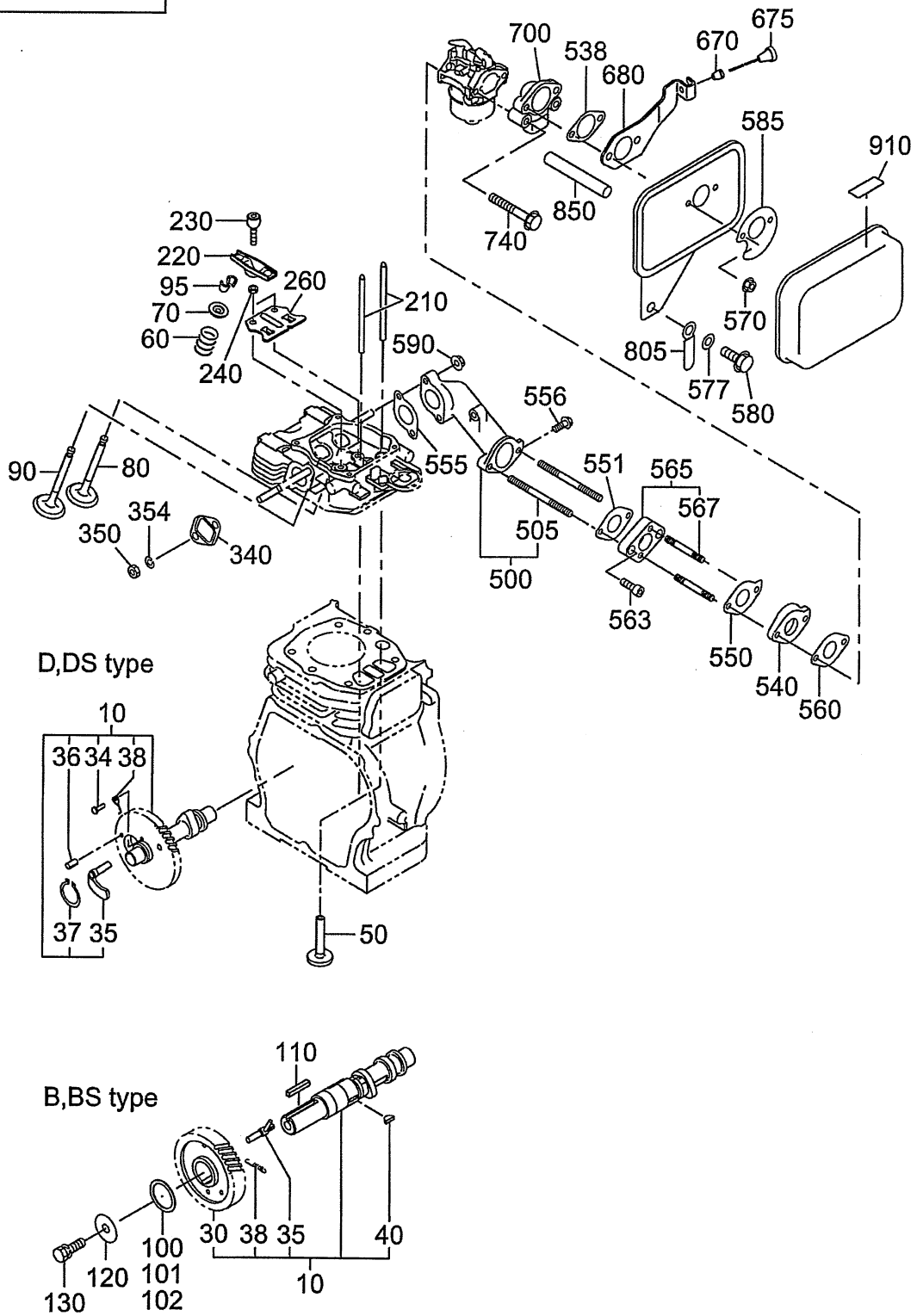






FIG. 315

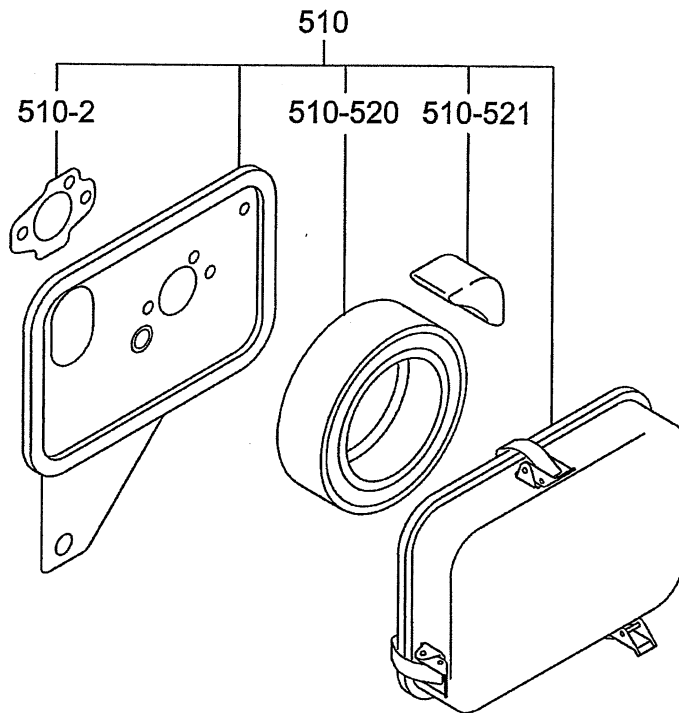
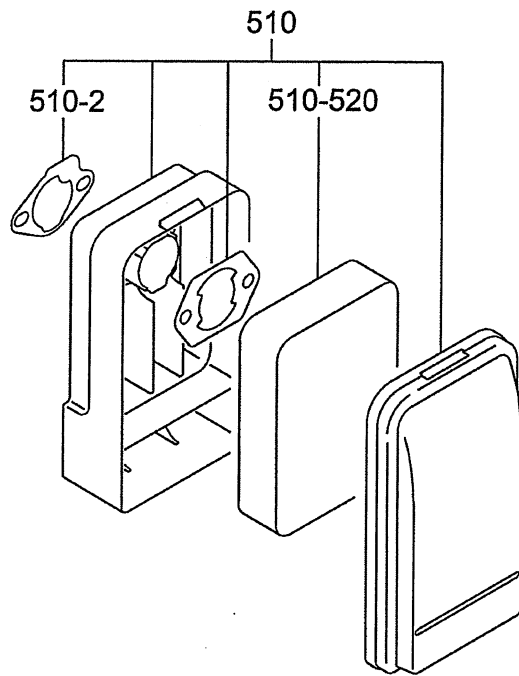




FIG. 331

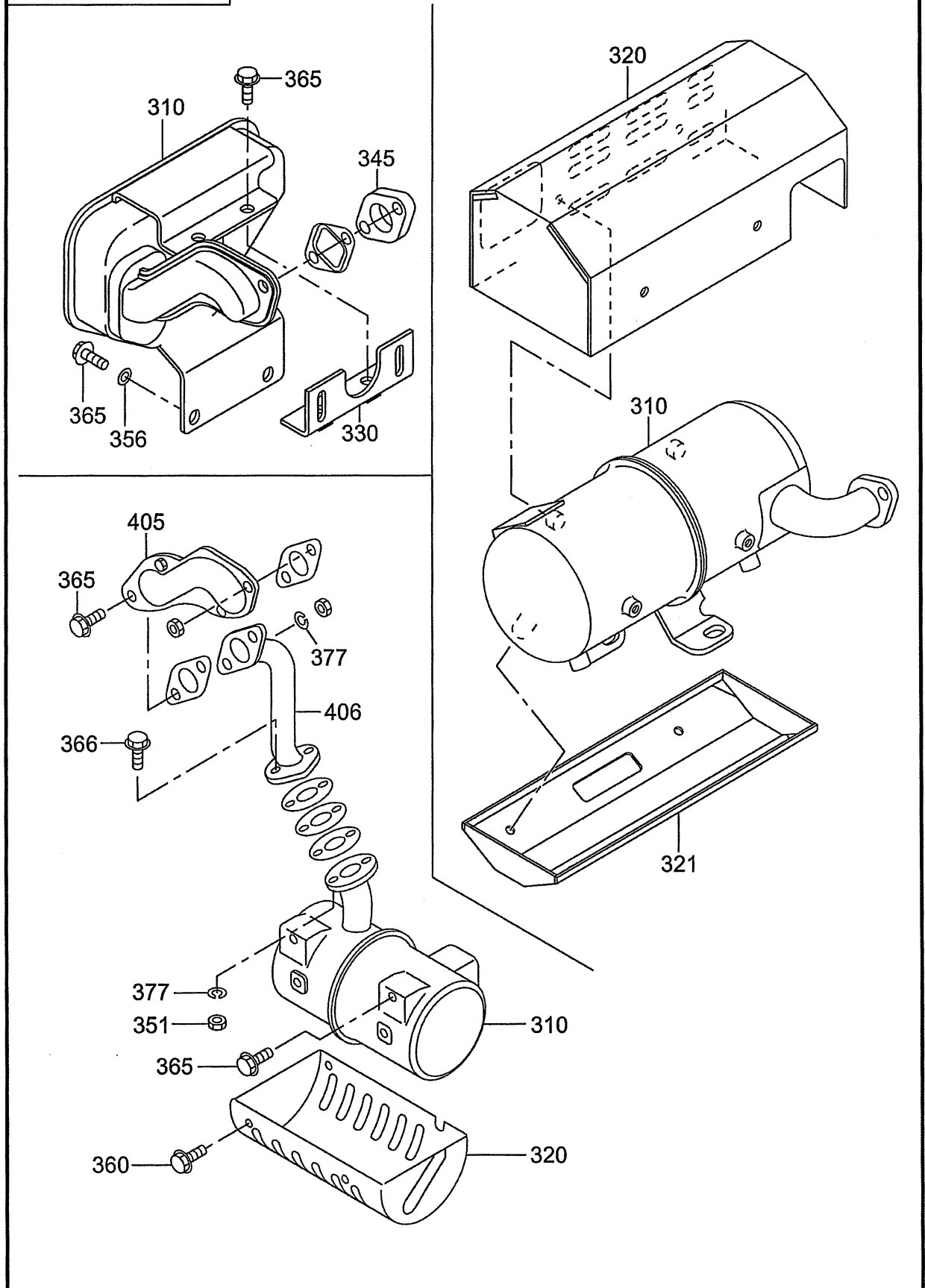




FIG. 420

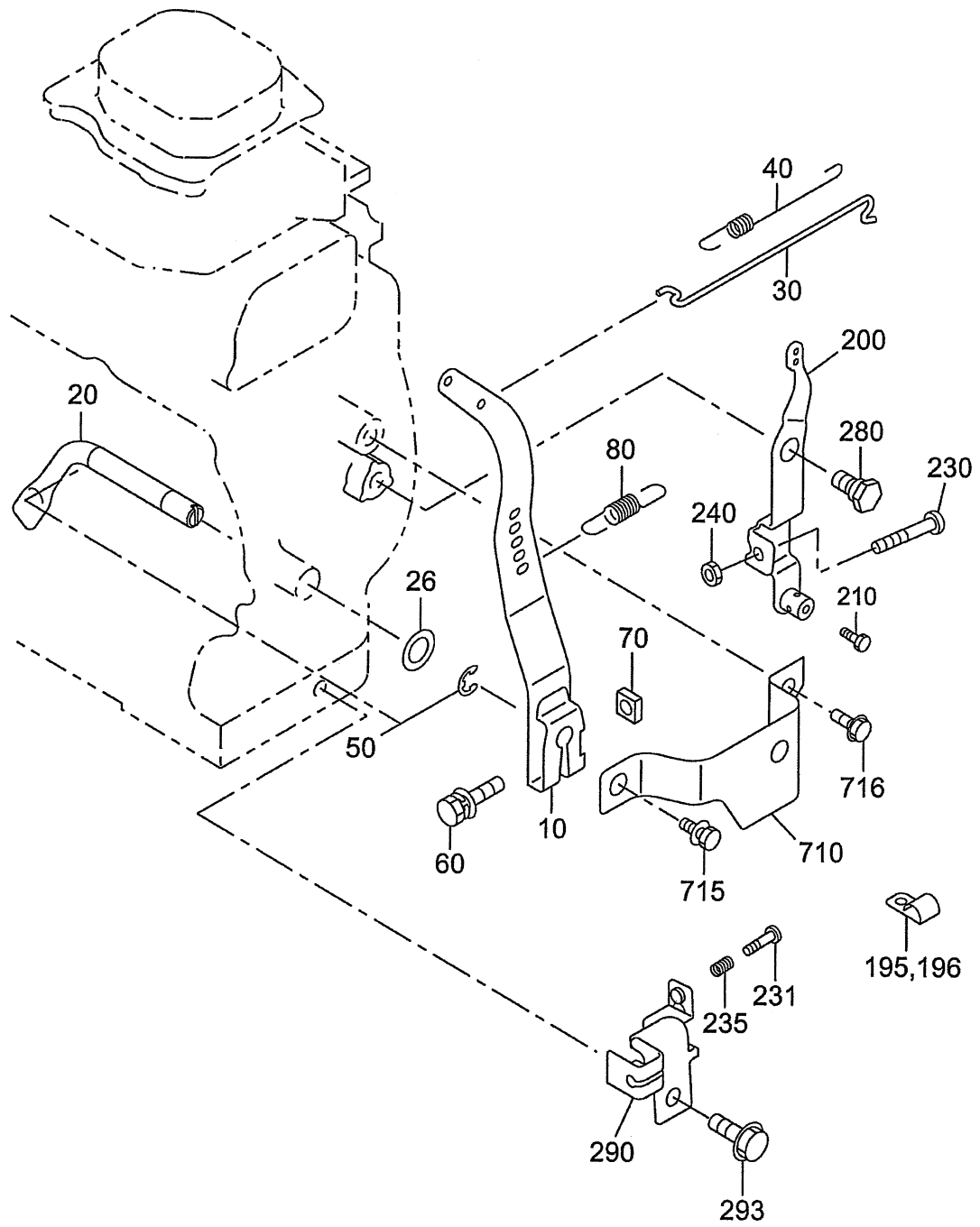




FIG. 500

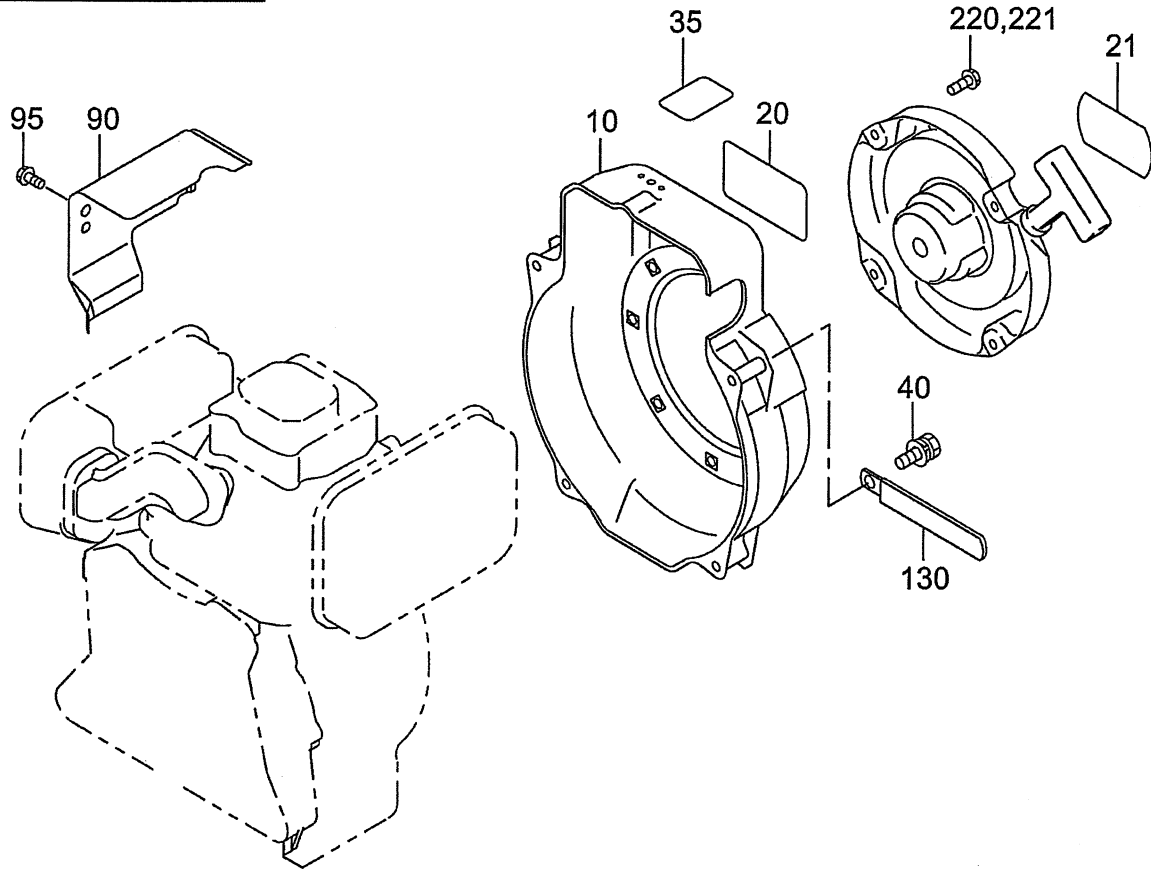






FIG. 520

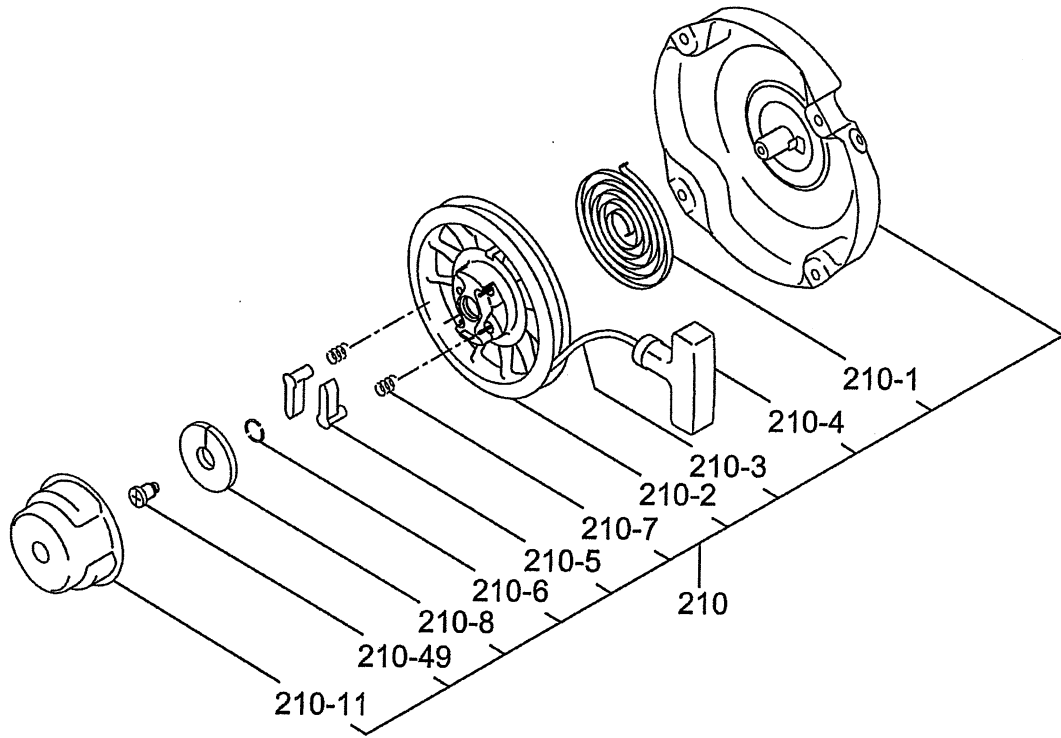




FIG. 640

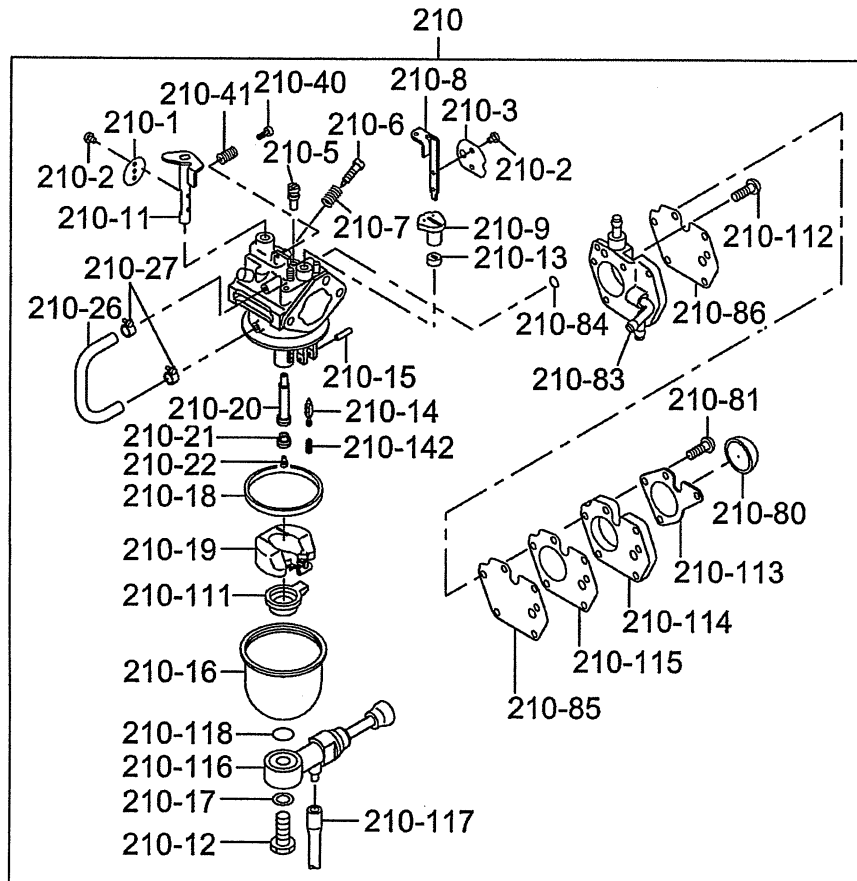
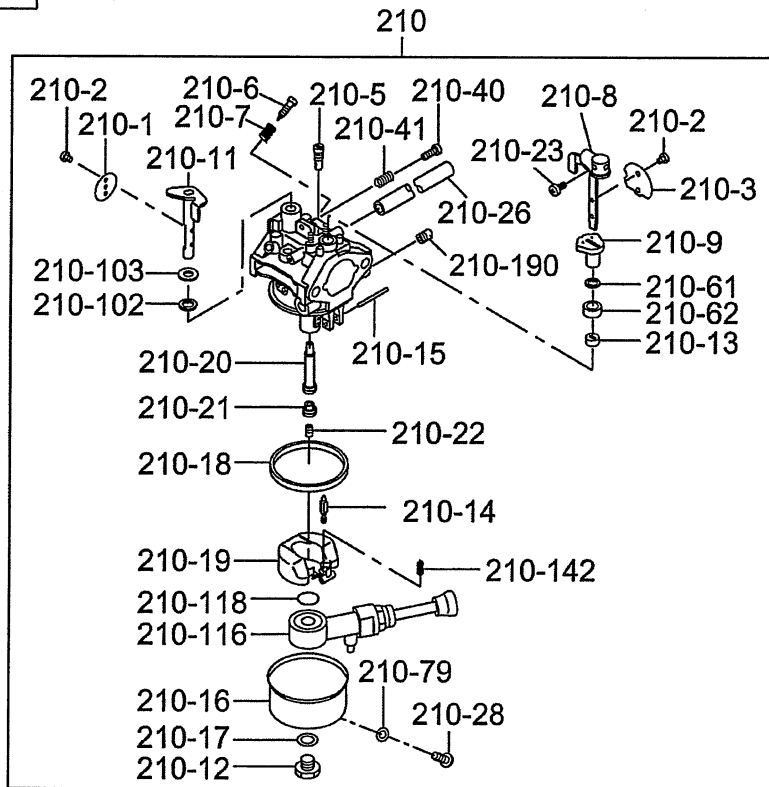








FIG. 900

